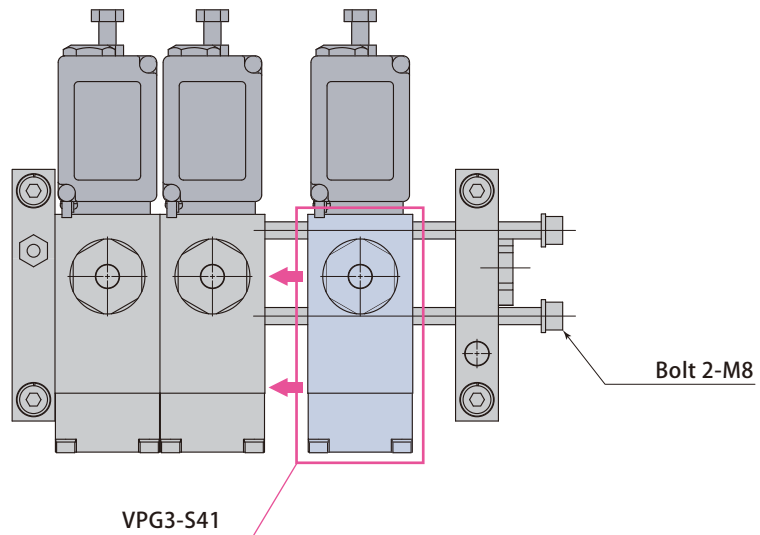


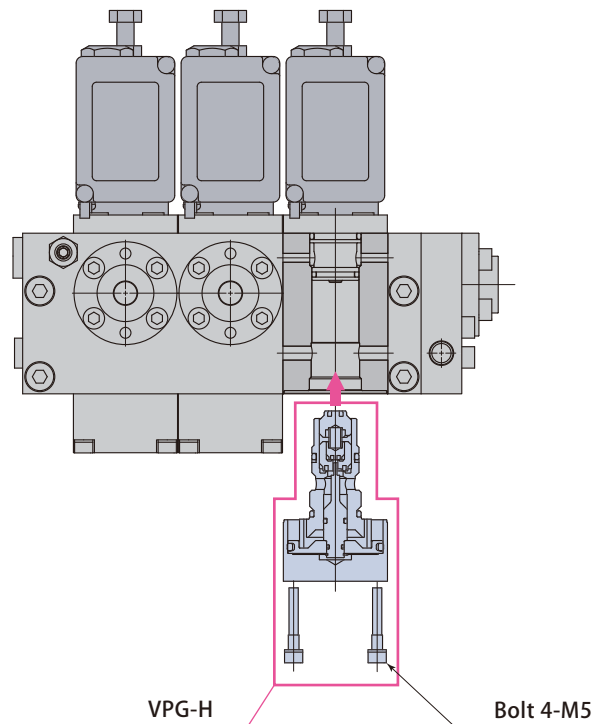
## VPG

When servicing : **to be replaced by a valve block**



## VPG-H

When servicing : **to be replaced by a valve cartridge**



- Contact the service center for more information about the installation.