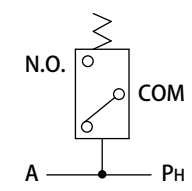


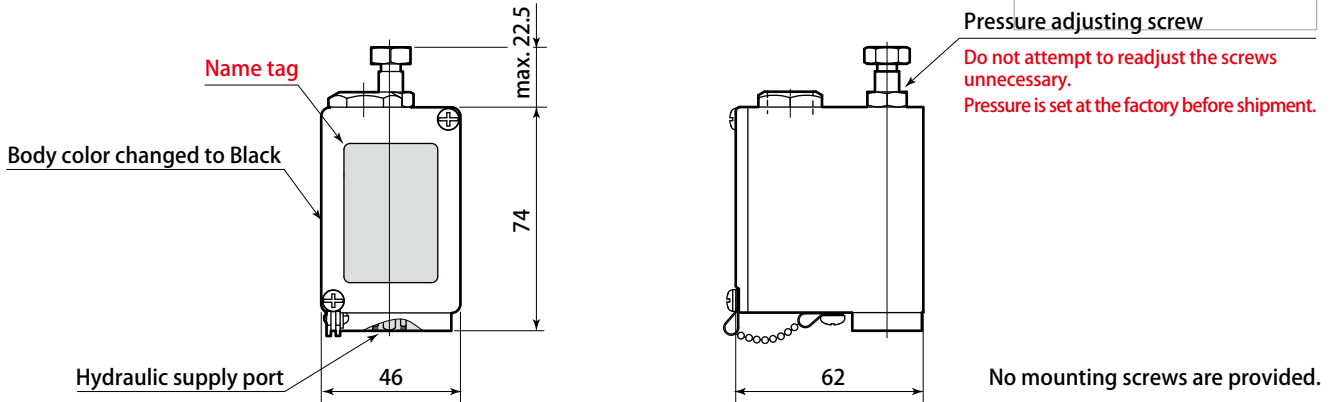
Pascal pressure switch model SAA

Specifications (Reference)

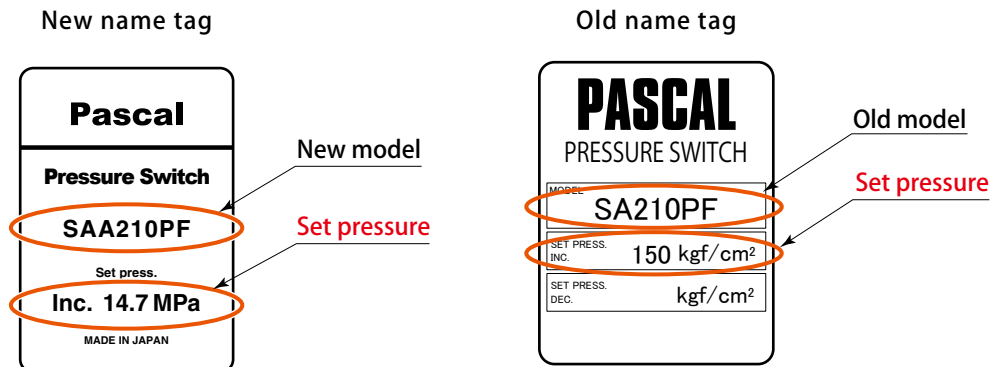
Model	SAA210P-F	Schematic symbol 
Application	Clamp confirmation	
Set pressure (※) (MPa)	24.5 MPa CIRCUIT INC. 14.7 (150kgf/cm²) 13.7 MPa CIRCUIT INC. 8.82 (90kgf/cm²)	
Set pressure precision	Within ±1.0 %	
Shock resistance force	max.30G	
Working ambient temperature (°C)	-5~70	
Working fluid	ISO-VG32 equivalent normal operation oil Water-Glycol	
Proof pressure (MPa)	68.6	
Range of set pressure (MPa)	Working pressure on pressurized (INC.) 1.96~20.5 Working pressure on depressurized (DEC.) 0.49~18.1	
Differential pressure (MPa)	1.47~2.45	
Rating	UL/CSA rating AC125V, 250V, 480V-10A 1/8HP-AC125V 1/4HP-AC250V DC 125V-1/2A DC 250V-1/4A	
Switch model	BZ-2RD3000-T4-J (Yamatake Corporation)	
Contact arrangement	Single Pole Double Throw (SPDT)	
Mass (kg)	0.6	

※ The set pressure is subject to the circuit pressure. Refer to the drawing for approval.

Dimensions (Reference)



Specify **set pressure originally** shown on the name tag.



New model is interchangeable with old one.

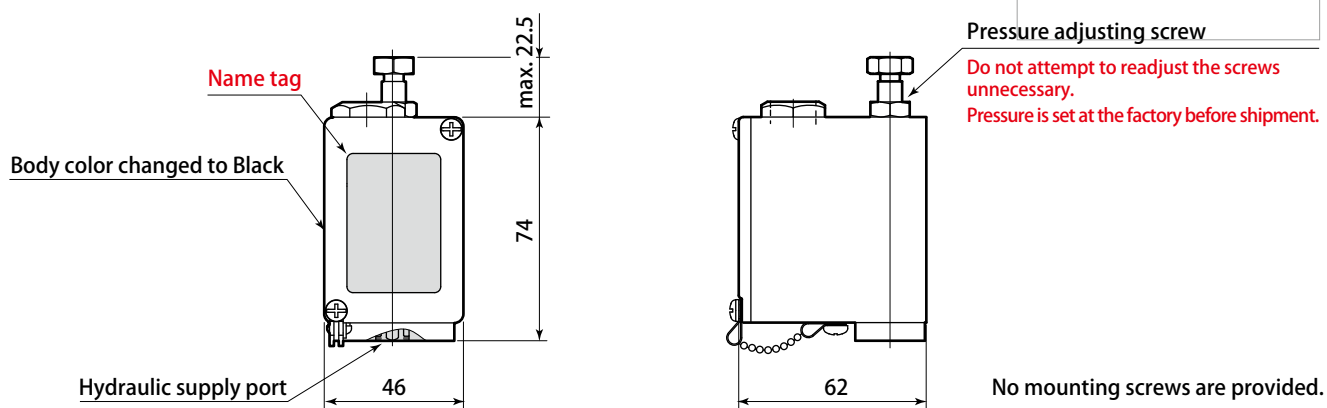
Pascal pressure switch model SAA

Specifications (Reference)

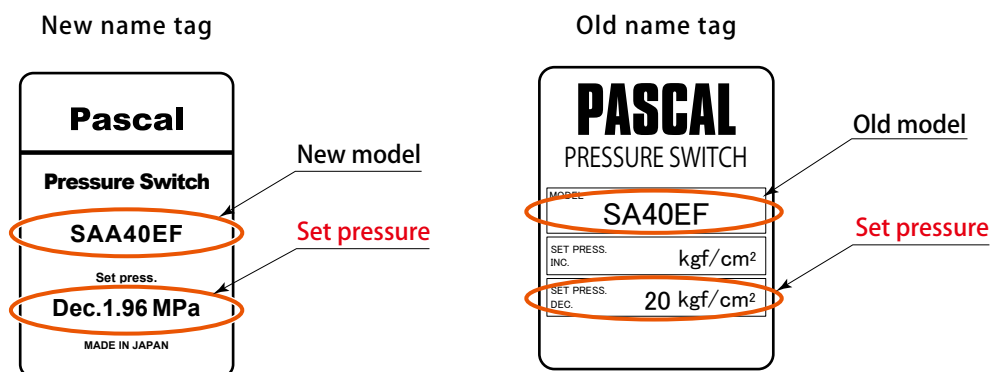
Model	SAA40E-F	<p>Schematic symbol</p>
Application	Die-lifter down confirmation	
Set pressure (※) (MPa)	DEC. 1.96 (20kgf/cm ²)	
Set pressure precision	Within ±1.0 %	
Shock resistance force	max.30G	
Working ambient temperature (°C)	-5~70	
Working fluid	ISO-VG32 equivalent normal operation oil Water-Glycol	
Proof pressure (MPa)	68.6	
Range of set pressure (MPa)	Working pressure on pressurized (INC.) 0.49~3.92 Working pressure on depressurized (DEC.) 0.20~3.43	
Differential pressure (MPa)	0.29~0.49	
Rating	UL/CSA rating AC125V, 250V, 480V-10A 1/8HP-AC125V 1/4HP-AC250V DC 125V-1/2A DC 250V-1/4A	
Switch model	BZ-2RD3000-T4-J (Yamatake Corporation)	
Contact arrangement	Single Pole Double Throw (SPDT)	
Mass (kg)	0.6	

※ The set pressure is subject to the circuit pressure. Refer to the drawing for approval.

Dimensions (Reference)



Specify **set pressure originally** shown on the name tag.



New model is interchangeable with old one.

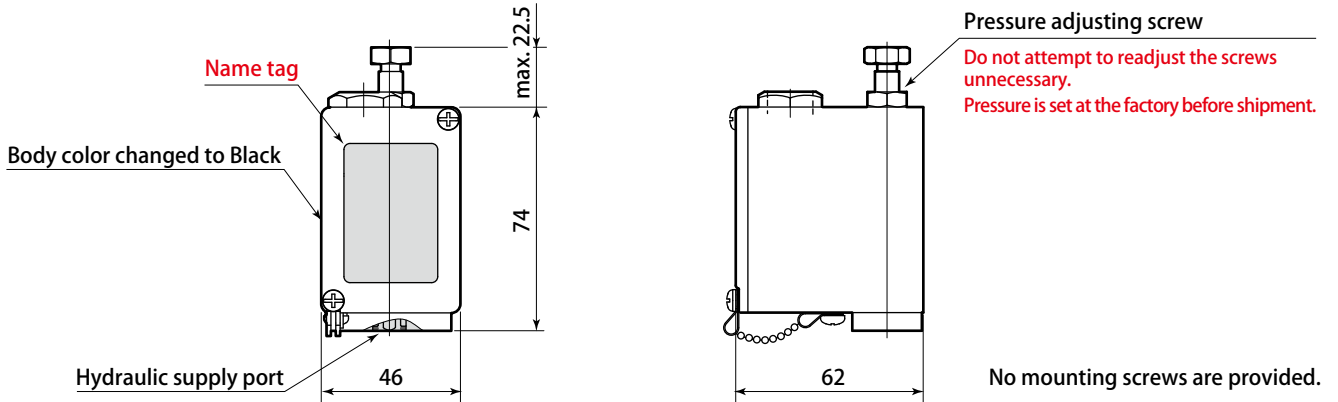
Pascal pressure switch model SAA

Specifications (Reference)

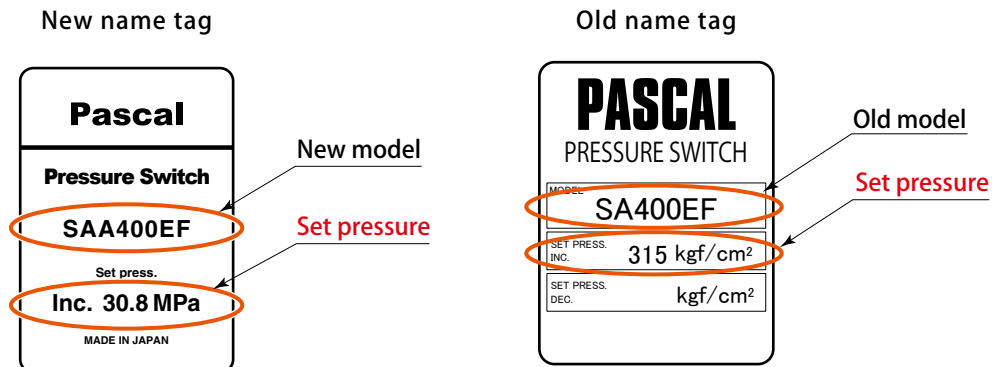
Model	SAA400E-F	
Application	Excessive pressure detection	
Set pressure (※) (MPa)	24.5 MPa CIRCUIT INC. 30.8 (315kgf/cm ²) 13.7 MPa CIRCUIT INC. 17.6 (180kgf/cm ²)	
Set pressure precision	Within ±1.0 %	
Shock resistance force	max.30G	
Working ambient temperature (°C)	-5~70	
Working fluid	ISO-VG32 equivalent normal operation oil Water-Glycol	
Proof pressure (MPa)	68.6	
Range of set pressure (MPa)	Working pressure on pressurized (INC.) 8.33~39.2 Working pressure on depressurized (DEC.) 6.37~35.3	
Differential pressure (MPa)	1.96~3.92	
Rating	UL/CSA rating AC125V, 250V, 480V-10A 1/8HP-AC125V 1/4HP-AC250V DC 125V-1/2A DC 250V-1/4A	
Switch model	BZ-2RD3000-T4-J (Yamatake Corporation)	
Contact arrangement	Single Pole Double Throw (SPDT)	
Mass (kg)	0.6	

※ The set pressure is subject to the circuit pressure. Refer to the drawing for approval.

Dimensions (Reference)



Specify **set pressure originally** shown on the name tag.



New model is interchangeable with old one.